



Split Body Flange End Ball valve

Model: CD-F608BV

Rating: Class 150~600



Design feature:

- With Mounting Pad, re-Drilled Metric Thread for easy automation.
- Thrust washer prevents galling, reduces torque and provides secondary stem seal.
- Long cycle life, Low uniform torques.
- Designed to be fire-safe to minimize both external and internal fluid leakage after plant fires.
- Adjustable stem packing gland Flange.
- Double D Stem Head Design Provides Mounting Of The Lever.
- Bottom Entry Blow-Out Proof Stem & Antistatic Device design Provides Maximum Safety.
- Wide range of seat & seal materials is available.
- End Flanges : Raise Face(RF); Ring Type Joint(RTJ)
- DIN EN10204-3.1 Certificate Available.

Specifications:

- Construction: Side Entry Bolted body Floating Ball Design.
- Flow bore: full port.
- Rating: ANSI Class 150/ 300/ 600;
150 PSI Saturated Steam.
- Temperature: -20°F ~ 400°F (PTFE/ R.PTFE)
- Materials: ASTM CF8M,CF8, WCB

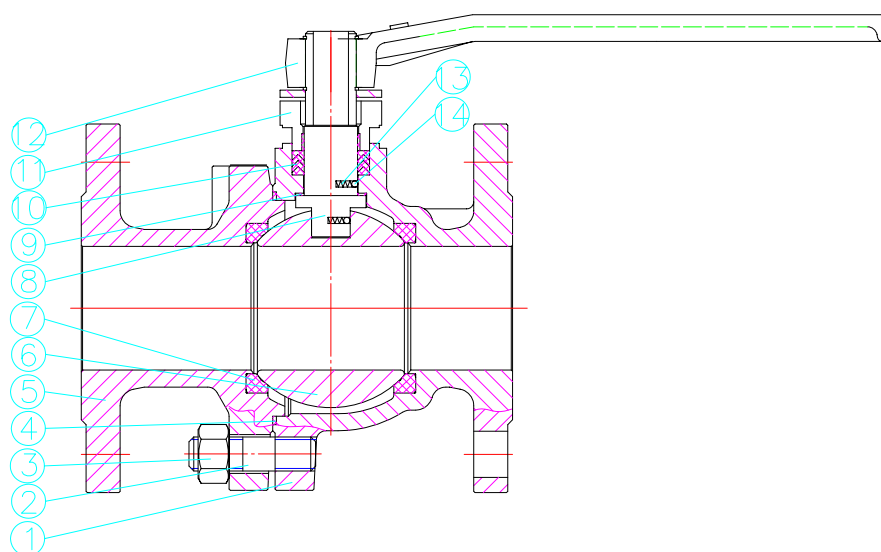
Standard:

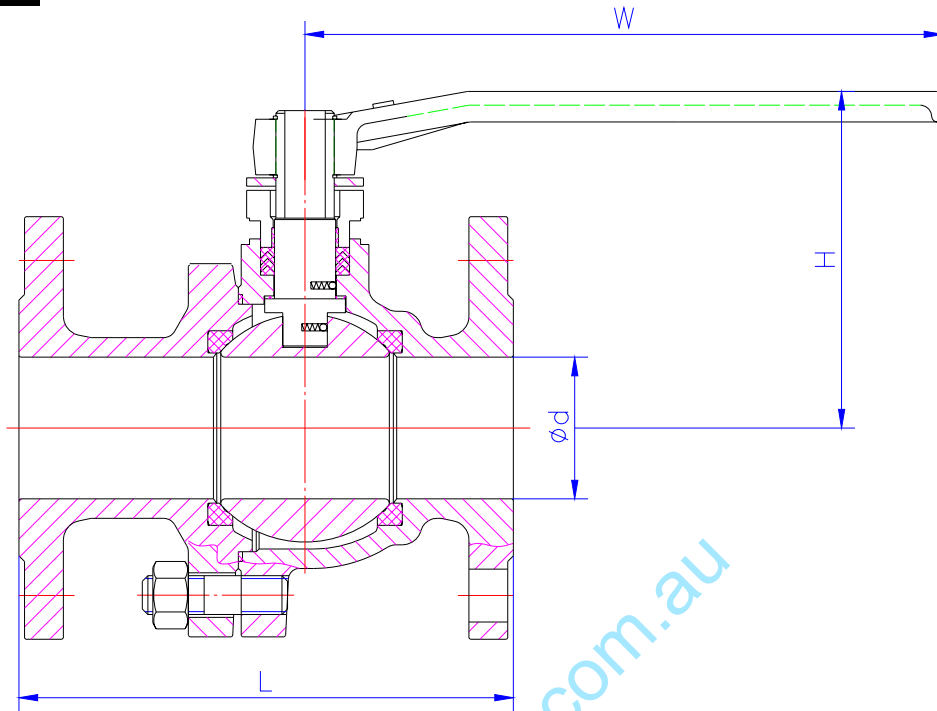
- Basic Design to ANSI B16.34; API 608
- Flange Dimension to ANSI B16.5
- Face-to-face meets to ANSI B16.10
- Inspection & testing according to API 598.
- PED 97/23/EC; ISO 9001

MATERIALS LIST:

NO	PARTS NAME	MATERIALS
1	BODY	ASTM A216-WCB
2	CAP BOLT	ASTM A193 B7
3	CAP NUT	ASTM A194 2H
4	GASKET	GRAPHITE
5	CAP	ASTM A216-WCB
6	BALL	ASTM A351-CF8
7	SEAT	PTFE
8	STEM	ASTM A182-F6a
9	STEM GASKET	PTFE
10	STEM PAKCING	GRAPHITE
11	GLAND FLANGE	ASTM A216-WCB
12	HANDLE	CARBON STEEL
13	SMALL BALL	STAINLESS STEEL
14	SMALL SPRING	STANLESS STEEL

Other materials are available upon request.



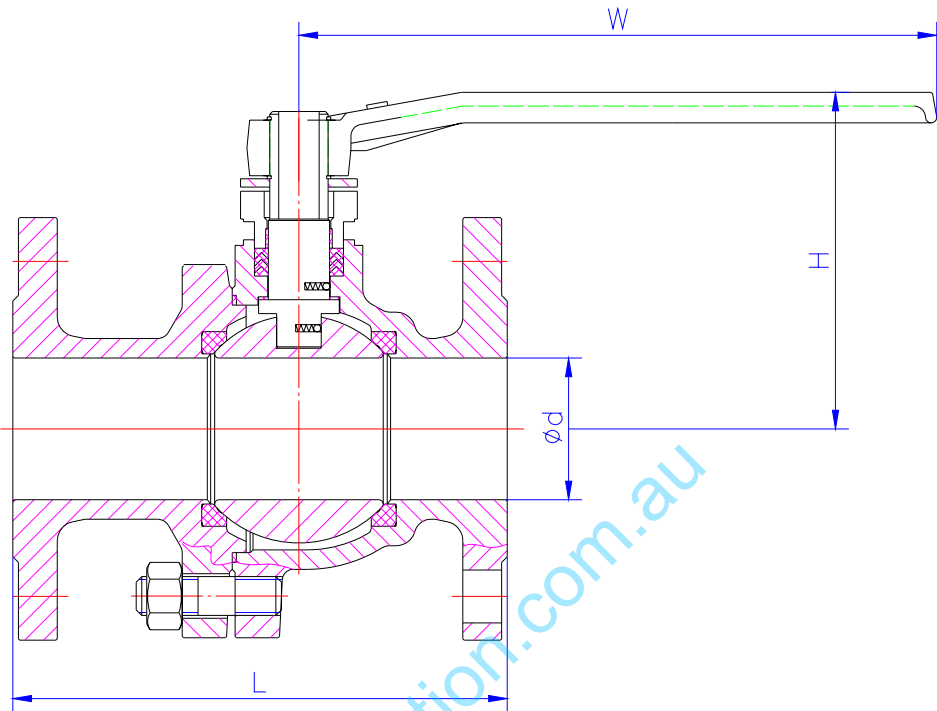


CLASS 150 Dimensions

DN	NPS	L		d	W		H		WEIGHT (kg)	
		RF	RF		LEVER	GEAR	LEVER	GEAR	LEVER	GEAR
15	1/2	108	119	14	140	-	85	-	3	-
20	3/4	117	130	19	140	-	90	-	4	-
25	1	127	140	25	150	-	99	-	5	-
32	1-1/4	140	153	32	180	-	105	-	7	-
40	1-1/2	165	178	38	200	-	126	-	8	-
50	2	178	191	51	250	-	140	-	12	-
65	2-1/2	190	203	64	300	-	165	-	18	-
80	3	203	216	76	350	-	178	-	24	-
100	4	229	242	102	500	305	230	380	38	53
125	5	356	369	127	800	305	280	405	60	79
150	6	394	407	152	800	305	310	460	82	102
200	8	457	470	203	1000	305	350	550	145	185
250	10	533	546	254	-	400	-	706	-	280

CLASS 300 Dimensions

DN	NPS	L		d	W		H		WEIGHT (kg)	
		RF	RF		LEVER	GEAR	LEVER	GEAR	LEVER	GEAR
15	1/2	140	151	14	140	-	85	-	3	-
20	3/4	152	165	19	140	-	90	-	5	-
25	1	165	178	25	150	-	99	-	6	-
32	1-1/4	178	191	32	180	-	105	-	8	-
40	1-1/2	190	203	38	200	-	126	-	11	-
50	2	216	232	51	250	-	142	-	16	-
65	2-1/2	241	257	64	300	-	165	-	24	-
80	3	283	299	76	350	-	178	330	34	52
100	4	305	321	102	500	305	230	380	56	76
125	5	381	397	127	800	305	280	420	86	124
150	6	403	419	152	800	305	310	480	125	163
200	8	502	518	203	1000	305	350	560	222	267



CLASS 600 Dimensions

DN	NPS	L		d	W		H		WEIGHT (kg)	
		RF	RF		LEVER	GEAR	LEVER	GEAR	LEVER	GEAR
15	1/2	165	164	14	140	-	79	-	5	-
20	3/4	190	190	19	140	-	83	-	7	-
25	1	216	216	25	200	-	114	-	9	-
32	1-1/4	229	229	32	200	-	120	-	13	-
40	1-1/2	241	241	38	250	-	125	-	17	-
50	2	292	295	51	300	-	156	-	25	-
65	2-1/2	330	333	64	350	-	172	-	42	-
80	3	356	359	76	500	305	220	370	56	76
100	4	432	435	102	650	305	250	400	85	123